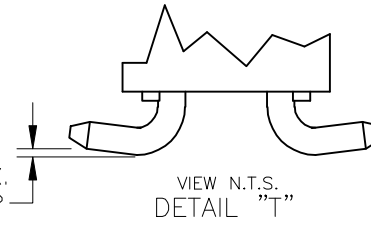
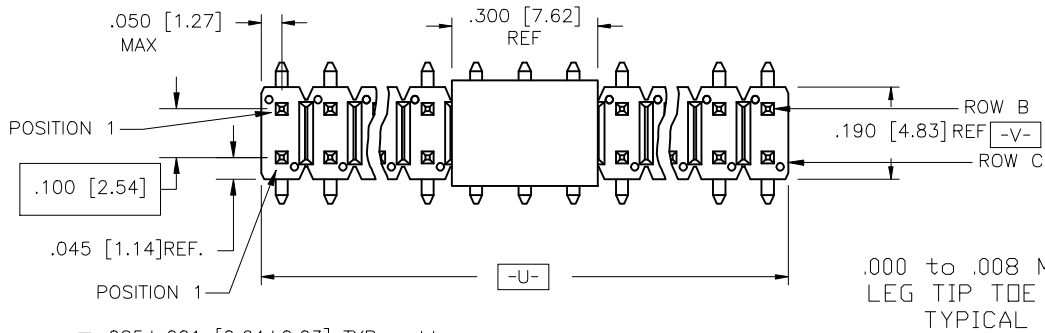
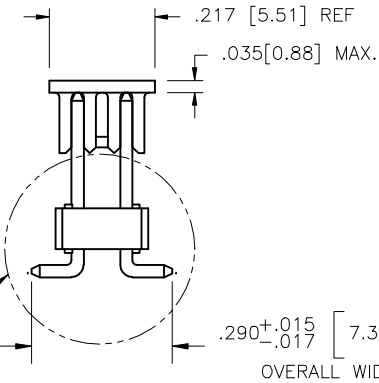
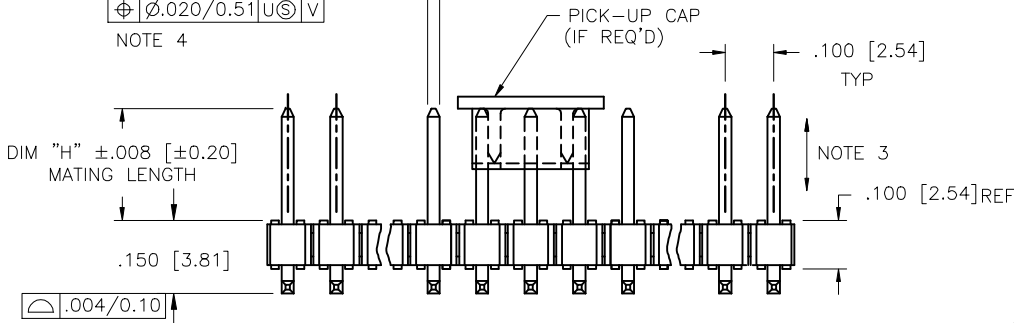


PRODUCT NO.  
 XXXXX-XXYP XXX LF  
 LEAD FREE OPTION (SEE NOTE 8 & 10)  
 POLARIZATION NOTE 12  
 PACKAGING OPTIONS (SEE NOTE 6)  
 NO. OF POSITIONS (SEE NOTE 5)  
 PLATING NUMBER (SEE SHEET 2)  
 BASE PART NUMBER (SEE SHEET 4)



□ .025±.001 [0.64±0.03] TYP.  
 ⌀ .020/0.51 U<sup>Ⓢ</sup> V  
 NOTE 4



Copyright FCI

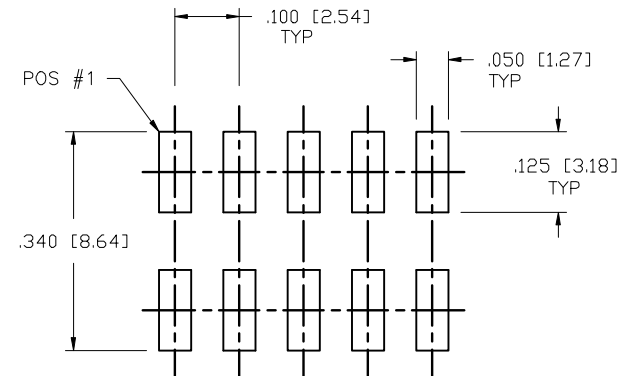
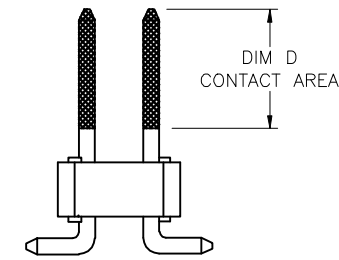
mat'l. code				surface ISO 1302	tolerance ISO 406 ISO 1101	projection INCH/MM	product family BERGSTIK
ltr	ecn no	dr	date	tolerances unless otherwise specified		scale 3:1	title BERGSTIK® II HEADER DR .100cc DUPLEX VERT. SMT.
V	M05-0118	AGS	6/03/05	angles	XX±.01/XX±0.3		
W	M06-0271	AGS	7/15/06	linear	XXX±.006/XXX±0.13	sheet 1 of 4 size 95157 A3	
X	M06-0360	MHT	9/13/06	0'±2'	XXXX±.0020/XXXX±0.051		
Y	M07-0449	AGS	10/10/07	dr	M. CLOUSER 4/28/95	type Product Customer Drawing	
AA	M08-0066	AGS	3/03/08	engr	T. HANNA 4/28/95		
AB	M08-0237	MHT	8/25/08	chr	T. HANNA 4/28/95		
AC	M08-0291	MHT	10/08/08	appd	T. HANNA 4/28/95		
sheet	revision	AC	AC	AC	AC		
index	sheet	1	2	3	4		

PRODUCT NUMBER	CONTACT AREA "DIM D" PLATING	TAIL PLATING
XXXXX-1YY	30u"/0.76u Au OVER 50u"/1.27u Ni.	100u"/2.54u TIN OVER 50u"/1.27u Ni.
XXXXX-2YY	15u"/0.38u Au OVER 50u"/1.27u Ni.	100u"/2.54u TIN OVER 50u"/1.27u Ni.
XXXXX-1YYLF	30u"/0.76u Au OVER 50u"/1.27u Ni.	100u"/2.54u TIN OVER 50u"/1.27u Ni.
XXXXX-2YYLF	15u"/0.38u Au OVER 50u"/1.27u Ni.	100u"/2.54u TIN OVER 50u"/1.27u Ni.
XXXXX-4YYLF	100u"/2.54u" min Sn OVER 50u"/1.27u min Ni.	100u"/2.54u TIN OVER 50u"/1.27u Ni.

(NOTE 11 & 13)  
 (NOTE 11 & 13)  
 (NOTE 11 & 13)  
 (NOTE 11 & 13)  
 (NOTE 11)

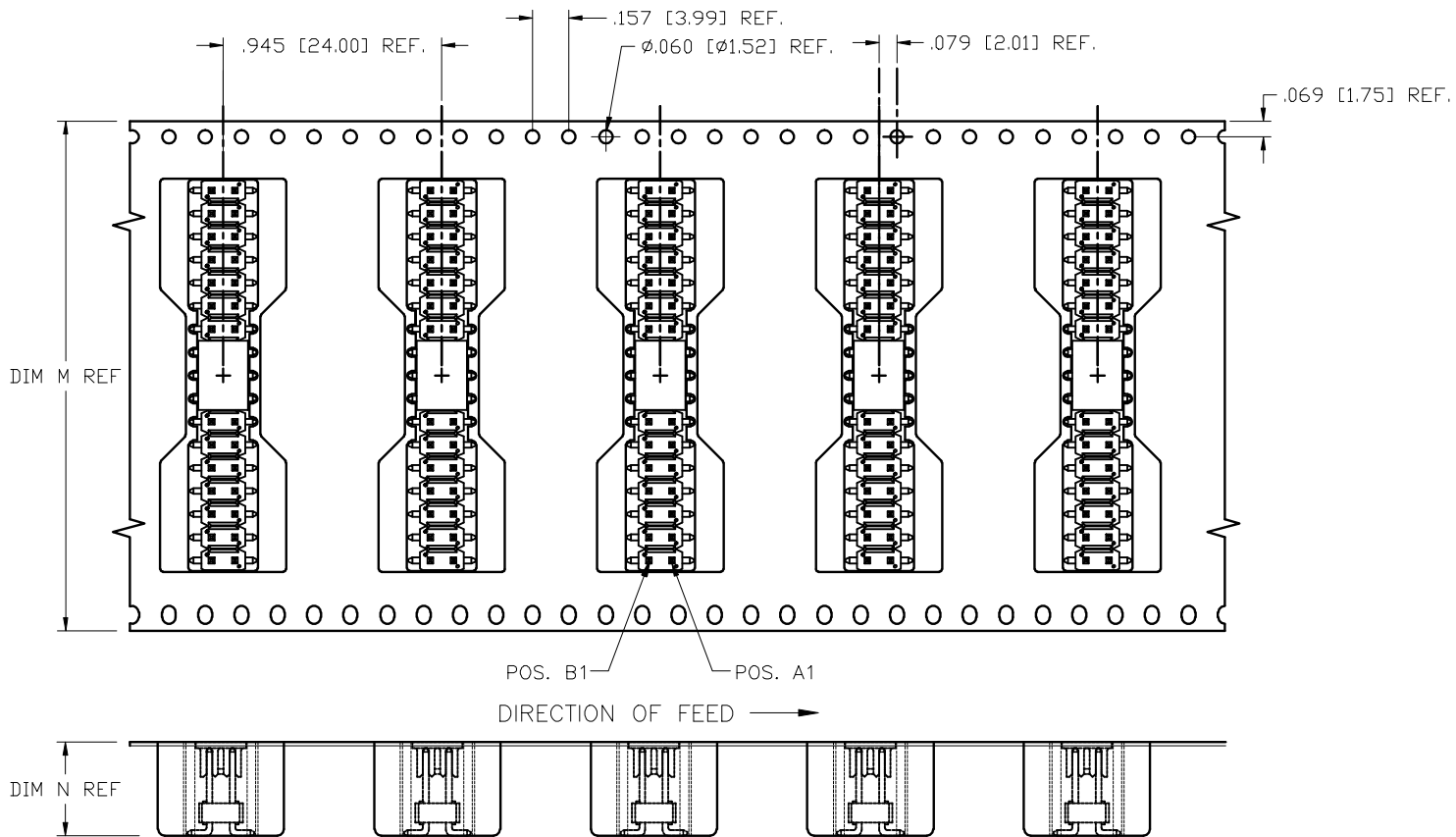
NOTES:

- ① BODY MATERIAL: GLASS FIBER REINFORCED PCT FLAME RETARDENT PER UL-94V-0. COLOR: BLACK  
OR  
MINERAL FILLED LCP FLAME RETARDENT PER UL-94V-0. COLOR: BLACK
- ② PIN MATERIAL: PHOS-BRONZE.
- ③ 2 Lbs / 0.9 Kg MIN PIN RETENTION IN EITHER DIRECTION.
- ④ MEASURED WITH PART IN RESTRAINED CONDITION.
- ⑤ NUMBER OF POSITIONS FROM 4(2X2) THRU 40(2X20) EXCEPT TAPE-ON-REEL AVAILABLE 4(2X2) THRU 34(2X17) ONLY.
- ⑥ PACKAGING OPTIONS: CHECK SPECIFIC PART NUMBERS FOR AVAILABILITY.  
PART NUMBERS WITHOUT A SUFFIX ARE PACKAGED IN POLY BAGS.  
PART NUMBERS FOLLOWED BY A "T" SUFFIX ARE PACKAGED IN TUBES.  
PART NUMBERS FOLLOWED BY A "V" SUFFIX ARE PACKAGED TAPE-ON-REEL WITH A PICK-UP CAP INSTALLED CENTRALLY LOCATED.  
PART NUMBERS FOLLOWED BY A "W" SUFFIX ARE PACKAGED TAPE-ON-REEL WITHOUT A PICK-UP CAP.
- ⑦ CONTACT MARKETING BEFORE ORDERING ODD POSITION PART NUMBERS (2X3,2X5,2X7,ETC.).
- ⑧ ADD LF TO THE END OF PART NUMBER FOR LEAD FREE OPTION.
- ⑨ THE HOUSING WILL WITHSTAND EXPOSURE TO 260°C PEAK TEMPERATURE FOR 20 SECONDS IN A CONVECTION, INFRA-RED OR VAPOR PHASE REFLOW OVEN. SEE APPLICATION NOTES/PROCEDURES IF THEY ARE AVAILABLE.
- ⑩ THESE PRODUCTS MEETS EUROPEAN UNION DIRECTIVES AND OTHER COUNTRY REGULATION AS DESCRIBED IN GS-22-008.
- ⑪ "THIS PRODUCT HAS 100% TIN PLATING IN THE INTERFACE AND HAS NOT BEEN TESTED FOR WISKER GROWTH IN ALL INTERCONNECT ENVIRONMENTS".
- ⑫ FOR POLARIZATION SPECIFY POSITION NUMBER (i.e. A03 = ROW A POSITION 3) TO OMIT AN OMIT FROM PRODUCT NUMBER IF THIS TEXTURE IS NOT APPLICABLE PRODUCT MANAGER APPROVAL REQUIRED PRIOR TO RELEASE OR SALE OF POLARIZED PRODUCTS.
- ⑬ PLATING OPTIONS:  
MAY BE EITHER GOLD OR GXT PLATED AT MANUFACTURER'S OPTION.



mat'l. code		surface	tolerance	projection	product family
ISO 1302		ISO 406	ISO 1101	ISO 1101	BERGSTIK
ltr	ec'n no	dr	date	title	
AC				BERGSTIK® II HEADER DR	
angles				linear	scale 3:1
0° ± 2'				linear	scale 3:1
dr		M. CLOUSER 4/28/95		dwg no	
engr		T. HANNA 4/28/95		sheet 2 of 4 size	
chr		T. HANNA 4/28/95		95157 A3	
appd		T. HANNA 4/28/95		type Product Customer Drawing	
sheet	revision				
index	sheet				

PRODUCT NUMBER  
SEE TABLE



Copyright FCI

mat'l. code		surface	tolerance	projection	product family
ISO 1902		ISO 406	ISO 1101		BERGSTIK
ltr	ecm no	dr	date	title	
AC				BERGSTIK® II HEADER DR	
angles		linear	tolerances unless otherwise specified		.100cc DUPLEX VERT. SMT.
0° ± 2'		linear	XXX±.01/XX±0.3	INCH/MM	scale 3:1
			XXX±.006/XX±0.13		
			XXX±.0020/XXX±0.051		
dr	M. CLOUSER	4/28/95			dwg no
engr	T. HANNA	4/28/95			sheet 3 of 4
chr	T. HANNA	4/28/95			size
appd	T. HANNA	4/28/95			A3
sheet	revision			type Product Customer Drawing	
index	sheet				

form A3

PRODUCT NUMBER	MATING LENGTH DIM H	CONTACT AREA DIM D	TAPE WIDTH DIM M	POCKET DEPTH DIM N	PACKAGING	LF OPTION
55426-XXY	NOT AVAILABLE					SEE NOTES 8, 9, 10
72598-YYY	.330/8.38	.200/5.08	-/-	-/-	POLY BAGS	
84731-XXY	NOT AVAILABLE					
84733-XXX	NOT AVAILABLE					
95157-YYY	.230/5.84	.185/4.70	2.20/55.9	.43/11.0	POLY BAGS/TAPE-ON-REEL/TUBES	
95157-210V	.230/5.84	.185/4.70	1.26/32	.43/11.0	TAPE ON REEL	
95157-216V	.230/5.84	.185/4.70	1.73/44	.43/11.0	TAPE ON REEL	
95159-XXX	.318/8.08	.200/5.08	2.20/55.9	.52/13.2	POLY BAGS/TAPE-ON-REEL/TUBES NOTE 7	
98273-YYY	.360/9.14	.200/5.08	-/-	-/-	POLY BAGS	



FCconnect.com

Copyright FCJ

mat'l. code		surface ISO 1302	tolerance ISO 406 ISO 1101	projection	product family BERGSTIK
ltr	ecn no	dr	date	 INCH/MM	title <b>BERGSTIK® II HEADER DR</b> .100cc DUPLEX VERT. SMT.
AC					
			angles	 scale 3:1	dwg no <b>95157</b>
			linear		
			0'±2'		sheet 4 of 4 size <b>A3</b>
			dr	M. CLOUSER	4/28/95
			engr	T. HANNA	4/28/95
			chr	T. HANNA	4/28/95
			appd	T. HANNA	4/28/95
sheet	revision				
index	sheet				